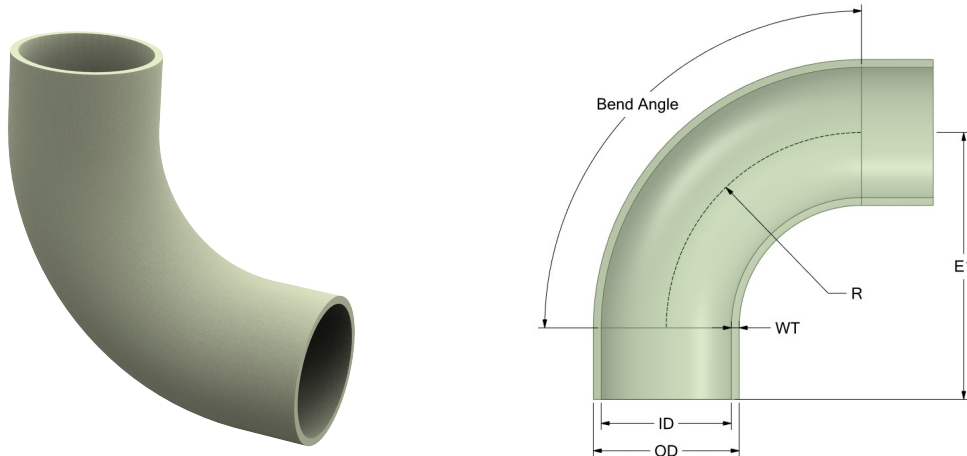


Coudes

Elbow 90 degrees type SE

Resin Type: Derakane 411



#	DN (mm)	Pmax (bar)	Bend Angle (deg)	ID (mm)	OD (mm)	WT (mm)	R (mm)	E1 (mm)	Article Number
1	25	16	90	25	33	4.0	75	110	EMS90-25-16/SE
2	32	16	90	32	42	5.0	96	130	EMS90-32-16/SE
3	40	16	90	40	50	5.0	120	150	EMS90-40-16/SE
4	50	16	90	50	60	5.0	100	140	EMS90-50-16/SE
5	65	16	90	65	77	6.0	95	140	EMS90-65-16/SE
6	80	16	90	80	92	6.0	120	165	EMS90-80-16/SE
7	100	10	90	100	110	5.0	150	205	EMS90-100-10/SE
8	100	16	90	100	112	6.0	150	205	EMS90-100-16/SE
9	125	10	90	125	137	6.0	190	245	EMS90-125-10/SE
10	125	16	90	125	139	7.0	190	245	EMS90-125-16/SE
11	150	10	90	150	162	6.0	225	285	EMS90-150-10/SE
12	150	16	90	150	166	8.0	225	285	EMS90-150-16/SE
13	200	10	90	200	216	7.0	300	365	EMS90-200-10/SE
14	200	16	90	200	222	9.0	300	365	EMS90-200-16/SE
15	250	10	90	250	266	8.0	375	450	EMS90-250-10/SE
16	250	16	90	250	274	11.0	375	450	EMS90-250-16/SE

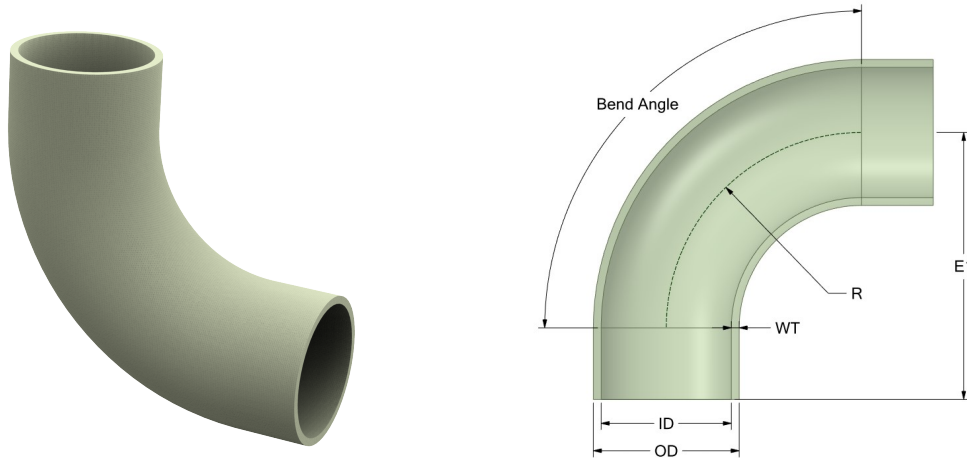
Disclaimer

Whilst every care is taken to ensure that the information on this website is complete and accurate, the Rotec Composite Group BV cannot accept responsibility for any omissions or inaccuracies or for any consequences arising therefrom. By using this website, the user accepts the terms of this disclaimer.

Coudes

Elbow 90 degrees type SE

Resin Type: Derakane 411



#	DN (mm)	Pmax (bar)	Bend Angle (deg)	ID (mm)	OD (mm)	WT (mm)	R (mm)	E1 (mm)	Article Number
17	300	10	90	300	318	9.0	450	525	EMS90-300-10/SE
18	300	16	90	300	326	12.0	450	525	EMS90-300-16/SE
19	350	10	90	350	370	10.0	525	650	EMS90-350-10/SE
20	350	16	90	350	365	8.5	525	655	EMS90-350-16/SE
21	400	10	90	394	408	7.0	600	720	EMS90-400-10/SE
22	400	16	90	394	412	9.0	600	750	EMS90-400-16/SE
23	450	10	90	434	450	8.0	675	810	EMS90-450-10/SE
24	450	16	90	434	455	10.5	675	860	EMS90-450-16/SE
25	500	10	90	482	502	10.0	750	900	EMS90-500-10/SE
26	500	16	90	482	508	13.0	750	930	EMS90-500-16/SE
27	600	10	90	579	603	12.0	900	1060	EMS90-600-10/SE
28	600	16	90	579	609	15.0	900	1100	EMS90-600-16/SE

Disclaimer

Whilst every care is taken to ensure that the information on this website is complete and accurate, the Rotec Composite Group BV cannot accept responsibility for any omissions or inaccuracies or for any consequences arising therefrom. By using this website, the user accepts the terms of this disclaimer.