

Flansch Stutten

Fest Flansch Stutz

Drilling Standard: EN1092 PN10, Resin Type: Derakane 470



#	DN (mm)	Pmax (bar)	D (mm)	d6 (mm)	d5 (mm)	r2 (mm)	s4 (mm)	k (mm)	Holes (no.)	d2 (mm)	L1 (mm)	h2 (mm)	b2 (mm)	Article Number
1	15	16	98	15	31	3	4.0	65	4	14	200	25	15	TFC-15-200-16/16
2	25	16	116	25	50	3	5.0	85	4	14	250	34	16	TFC-25-250-16/16
3	32	16	140	32	58	3	5.0	100	4	18	250	34	16	TFC-32-250-16/16
4	40	16	154	40	68	4	5.0	110	4	18	300	39	18	TFC-40-300-16/16
5	50	16	164	50	82	4	5.0	125	4	18	300	48	20	TFC-50-300-16/16
6	50	16	164	50	82	4	5.0	125	4	18	600	48	20	TFC-50-600-16/16
7	65	16	184	65	100	4	5.0	145	4	18	300	57	25	TFC-65-300-16/16
8	65	16	184	65	100	4	5.0	145	4	18	600	57	25	TFC-65-600-16/16
9	80	16	200	80	116	4	5.0	160	8	18	300	62	28	TFC-80-300-16/16
10	80	16	200	80	116	4	5.0	160	8	18	600	62	28	TFC-80-600-16/16
11	100	10	228	100	138	5	5.0	180	8	18	300	61	24	TFC-100-300-10/16
12	100	10	228	100	138	5	5.0	180	8	18	600	61	24	TFC-100-600-10/16
13	100	16	228	100	138	5	6.0	180	8	18	300	72	35	TFC-100-300-16/16
14	100	16	228	100	138	5	6.0	180	8	18	600	72	35	TFC-100-600-16/16
15	125	10	254	125	164	5	5.0	210	8	18	300	68	27	TFC-125-300-10/16
16	125	10	254	125	164	5	5.0	210	8	18	600	68	27	TFC-125-600-10/16
17	125	16	254	125	164	5	6.0	210	8	18	300	79	38	TFC-125-300-16/16
18	125	16	254	125	164	5	6.0	210	8	18	600	79	38	TFC-125-600-16/16

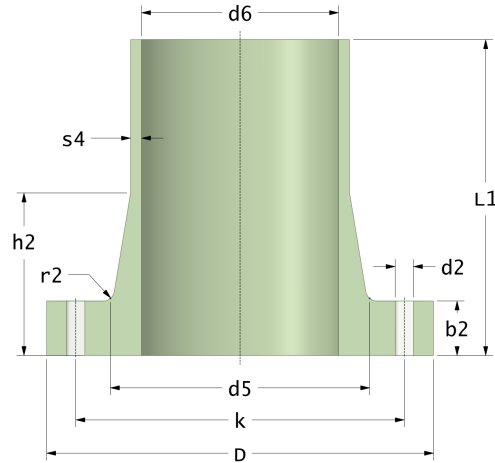
Disclaimer

Whilst every care is taken to ensure that the information on this website is complete and accurate, the Rotec Composite Group BV cannot accept responsibility for any omissions or inaccuracies or for any consequences arising therefrom. By using this website, the user accepts the terms of this disclaimer.

Flansch Stutzen

Fest Flansch Stutz

Drilling Standard: EN1092 PN10, Resin Type: Derakane 470



#	DN (mm)	Pmax (bar)	D (mm)	d6 (mm)	d5 (mm)	r2 (mm)	s4 (mm)	k (mm)	Holes (no.)	d2 (mm)	L1 (mm)	h2 (mm)	b2 (mm)	Article Number
19	150	10	284	150	194	5	5.5	240	8	22	300	78	30	TFC-150-300-10/16
20	150	10	284	150	194	5	5.5	240	8	22	600	78	30	TFC-150-600-10/16
21	150	16	284	150	194	5	7.0	240	8	22	300	88	40	TFC-150-300-16/16
22	150	16	284	150	194	5	7.0	240	8	22	600	88	40	TFC-150-600-16/16
23	200	10	342	200	246	6	6.0	295	8	22	300	95	35	TFC-200-300-10/10
24	200	10	342	200	246	6	6.0	295	8	22	600	95	35	TFC-200-600-10/10
25	200	10	342	200	246	6	6.0	295	12	22	600	95	35	TFC-200-600-10/16
26	250	10	405	250	302	6	7.0	350	12	22	300	113	40	TFC-250-300-10/10
27	250	10	405	250	302	6	7.0	350	12	22	600	113	40	TFC-250-600-10/10
28	300	6	458	300	350	6	6.5	400	12	22	300	128	42	TFC-300-300-06/10
29	300	6	458	300	350	6	6.5	400	12	22	600	128	42	TFC-300-600-06/10
30	300	10	458	300	350	6	8.0	400	12	22	300	131	45	TFC-300-300-10/10
31	300	10	458	300	350	6	8.0	400	12	22	600	131	45	TFC-300-600-10/10
32	300	10	458	300	350	6	8.0	400	12	22	300	136	50	TFC-301-300-10/10
33	300	10	458	300	350	6	8.0	400	12	22	600	136	50	TFC-301-600-10/10
34	350	10	505	350	398	7	8.0	460	16	22	360	135	45	TFC-350-360/10
35	400	10	565	400	451	8	8.0	515	16	26	360	150	48	TFC-400-360/10
36	400	10	565	400	451	8	8.0	515	16	26	600	150	48	TFC-400-600/10

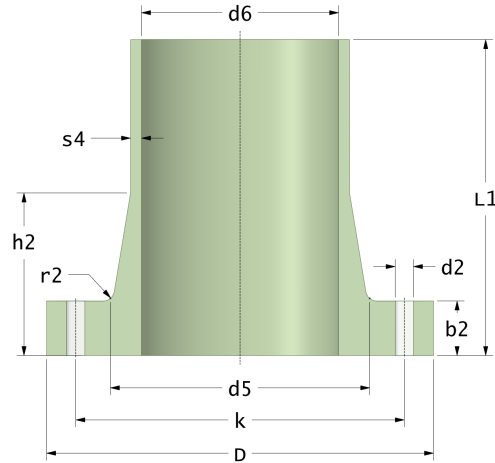
Disclaimer

Whilst every care is taken to ensure that the information on this website is complete and accurate, the Rotec Composite Group BV cannot accept responsibility for any omissions or inaccuracies or for any consequences arising therefrom. By using this website, the user accepts the terms of this disclaimer.

Flansch Stutzen

Fest Flansch Stutz

Drilling Standard: EN1092 PN10, Resin Type: Derakane 470



#	DN (mm)	Pmax (bar)	D (mm)	d6 (mm)	d5 (mm)	r2 (mm)	s4 (mm)	k (mm)	Holes (no.)	d2 (mm)	L1 (mm)	h2 (mm)	b2 (mm)	Article Number
37	450	10	640	450	539	8	9.0	565	20	26	360	160	52	TFC-450-360/10
38	500	10	670	500	556	8	9.0	620	20	26	360	180	56	TFC-500-360/10
39	500	10	670	500	556	8	9.0	620	20	26	600	180	56	TFC-500-600/10
40	600	10	780	600	647	8	9.0	725	20	30	360	210	64	TFC-600-360/10
41	600	10	780	600	647	8	9.0	725	20	30	600	210	64	TFC-600-600/10

Disclaimer

Whilst every care is taken to ensure that the information on this website is complete and accurate, the Rotec Composite Group BV cannot accept responsibility for any omissions or inaccuracies or for any consequences arising therefrom. By using this website, the user accepts the terms of this disclaimer.