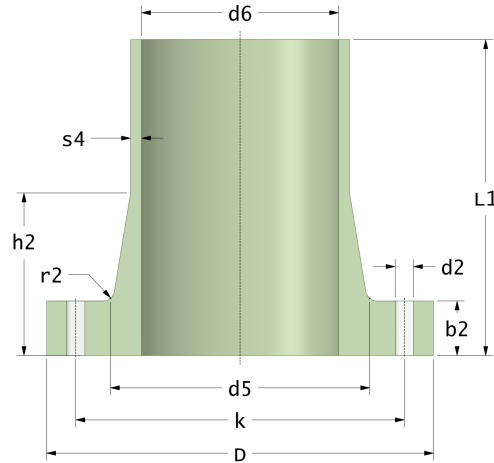


Flansch Stutzen

Fest Flansch Stutz

Drilling Standard: ANSI B16.5 Class 150, Resin Type: Derakane 470



#	DN (mm)	Pmax (bar)	D (mm)	d6 (mm)	d5 (mm)	r2 (mm)	s4 (mm)	k (mm)	Holes (no.)	d2 (mm)	L1 (mm)	h2 (mm)	b2 (mm)	Article Number
1	15	16	98	15	31	3	4.0	60	4	16	200	25	15	TFC-15-200-16/150
2	25	16	116	25	44	3	5.0	79	4	16	250	34	16	TFC-25-250-16/150
3	32	16	116	32	54	3	5.0	89	4	16	250	34	16	TFC-32-250-16/150
4	40	16	140	40	64	4	5.0	98	4	16	300	39	18	TFC-40-300-16/150
5	50	16	154	50	78	4	5.0	121	4	19	300	48	20	TFC-50-300-16/150
6	50	16	154	50	78	4	5.0	121	4	19	600	48	20	TFC-50-600-16/150
7	65	16	184	65	96	4	5.0	140	4	19	300	57	25	TFC-65-300-16/150
8	65	16	184	65	96	4	5.0	140	4	19	600	57	25	TFC-65-600-16/150
9	80	16	200	80	112	4	5.0	152	4	19	300	62	28	TFC-80-300-16/150
10	80	16	200	80	112	4	5.0	152	4	19	600	62	28	TFC-80-600-16/150
11	100	10	228	100	138	5	5.0	190	8	19	300	61	24	TFC-100-300-10/150
12	100	10	228	100	138	5	5.0	190	8	19	600	61	24	TFC-100-600-10/150
13	100	16	228	100	138	5	6.0	190	8	19	300	72	35	TFC-100-300-16/150
14	100	16	228	100	138	5	6.0	190	8	19	600	72	35	TFC-100-600-16/150
15	125	10	254	125	164	5	5.0	210	8	18	300	68	27	TFC-125-300-10/150
16	125	10	254	125	164	5	5.0	210	8	18	600	68	27	TFC-125-600-10/150
17	125	16	254	125	164	5	6.0	210	8	18	300	79	38	TFC-125-300-16/150
18	125	16	254	125	164	5	6.0	210	8	18	600	79	38	TFC-125-600-16/150

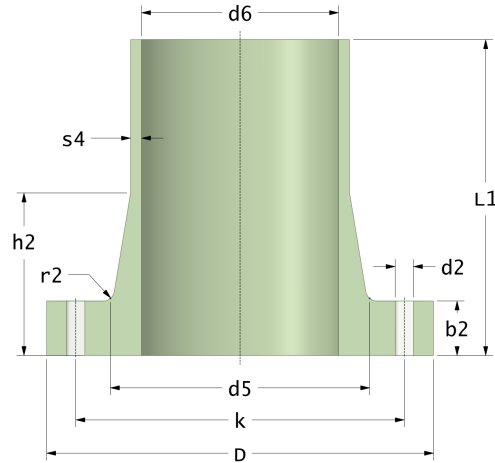
Disclaimer

Whilst every care is taken to ensure that the information on this website is complete and accurate, the Rotec Composite Group BV cannot accept responsibility for any omissions or inaccuracies or for any consequences arising therefrom. By using this website, the user accepts the terms of this disclaimer.

Flansch Stutzen

Fest Flansch Stutz

Drilling Standard: ANSI B16.5 Class 150, Resin Type: Derakane 470



#	DN (mm)	Pmax (bar)	D (mm)	d6 (mm)	d5 (mm)	r2 (mm)	s4 (mm)	k (mm)	Holes (no.)	d2 (mm)	L1 (mm)	h2 (mm)	b2 (mm)	Article Number
19	150	10	284	150	194	5	5.5	241	8	22	300	78	30	TFC-150-300-10/150
20	150	10	284	150	194	5	5.5	241	8	22	600	78	30	TFC-150-600-10/150
21	150	16	284	150	194	5	7.0	241	8	22	300	88	40	TFC-150-300-16/150
22	150	16	284	150	194	5	7.0	241	8	22	600	88	40	TFC-150-600-16/150
23	200	10	342	200	246	6	6.0	299	8	22	300	95	35	TFC-200-300-10/150
24	200	10	342	200	246	6	6.0	299	8	22	600	95	35	TFC-200-600-10/150
25	200	16	342	200	246	6	8.0	299	8	22	300	105	45	TFC-200-300-16/150
26	200	16	342	200	246	6	8.0	299	8	22	600	105	45	TFC-200-600-16/150
27	200	16	342	200	246	6	8.0	299	8	22	300	110	50	TFC-201-300-16/150
28	200	16	342	200	246	6	8.0	299	8	22	600	110	50	TFC-201-600-16/150
29	250	10	405	250	302	6	7.0	362	12	25	300	113	40	TFC-250-300-10/150
30	250	10	405	250	302	6	7.0	362	12	25	600	113	40	TFC-250-600-10/150
31	250	16	405	250	302	6	9.0	362	12	25	300	123	50	TFC-250-300-16/150
32	250	16	405	250	302	6	9.0	362	12	25	600	123	50	TFC-250-600-16/150
33	250	16	405	250	302	6	9.0	362	12	25	300	133	60	TFC-251-300-16/150
34	250	16	405	250	302	6	9.0	362	12	25	600	133	60	TFC-251-600-16/150
35	300	10	485	300	362	10	8.0	432	12	25	300	131	45	TFC-300-300-10/150
36	300	10	485	300	362	10	8.0	432	12	25	600	131	45	TFC-300-600-10/150

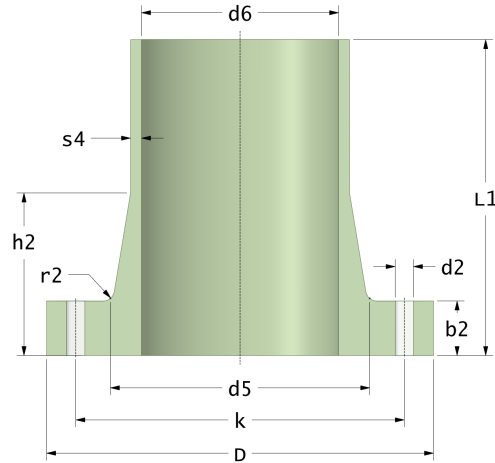
Disclaimer

Whilst every care is taken to ensure that the information on this website is complete and accurate, the Rotec Composite Group BV cannot accept responsibility for any omissions or inaccuracies or for any consequences arising therefrom. By using this website, the user accepts the terms of this disclaimer.

Flansch Stutzen

Fest Flansch Stutz

Drilling Standard: ANSI B16.5 Class 150, Resin Type: Derakane 470



#	DN (mm)	Pmax (bar)	D (mm)	d6 (mm)	d5 (mm)	r2 (mm)	s4 (mm)	k (mm)	Holes (no.)	d2 (mm)	L1 (mm)	h2 (mm)	b2 (mm)	Article Number
37	300	10	485	300	362	10	8.0	432	12	25	300	136	50	TFC-301-300-10/150
38	300	10	485	300	362	10	8.0	432	12	25	600	136	50	TFC-301-600-10/150
39	300	16	485	300	362	10	10.5	432	12	25	300	141	55	TFC-300-300-16/150
40	300	16	485	300	362	10	10.5	432	12	25	600	141	55	TFC-300-600-16/150
41	300	16	485	300	362	10	10.5	432	12	25	300	156	70	TFC-301-300-16/150
42	300	16	485	300	362	10	10.5	432	12	25	600	156	70	TFC-301-600-16/150
43	350	10	535	350	398	7	8.0	476	12	29	360	135	45	TFC-350-360/150
44	400	10	600	400	451	8	8.0	540	16	29	600	150	40	TFC-400-600/150
45	400	10	610	406	451	8	14.0	540	16	29	305	150	41	TFC-400-300/150
46	450	10	640	450	539	8	9.0	578	16	32	360	160	52	TFC-450-360/150
47	500	10	700	500	556	8	9.0	635	20	32	360	180	56	TFC-500-360/150
48	500	10	700	500	556	8	9.0	635	20	32	600	180	56	TFC-500-600/150
49	600	10	815	600	647	8	9.0	749	20	35	360	210	64	TFC-600-360/150
50	600	10	815	600	647	8	9.0	749	20	35	600	210	64	TFC-600-600/150

Disclaimer

Whilst every care is taken to ensure that the information on this website is complete and accurate, the Rotec Composite Group BV cannot accept responsibility for any omissions or inaccuracies or for any consequences arising therefrom. By using this website, the user accepts the terms of this disclaimer.