

Fest Flansche

Klebe Flansch (Flat Face) für GFK-Rohr

Drilling Standard: AWWA C207 Class B/D/E



#	DN (mm)	Pmax (bar)	D (mm)	d7 (mm)	d9 (mm)	d8 (mm)	d5 (mm)	r2 (mm)	k (mm)	Holes (no.)	d2 (mm)	h2 (mm)	b2 (mm)	Article Number
1	150	10	285	167	171	178	186	6	241	8	22	70	23	FF-150-10/AW5
2	150	16	285	167	171	178	186	6	241	8	22	77	30	FF-150-16/AW5
3	200	10	350	221	225	230	240	6	298	8	22	81	26	FF-200-10/AW5
4	200	16	350	221	225	230	240	6	298	8	22	91	36	FF-200-16/AW5
5	250	10	410	273	277	288	294	6	362	12	25	89	29	FF-250-10/AW5
6	250	16	410	273	277	288	294	6	362	12	25	102	42	FF-250-16/AW5
7	300	10	490	326	330	338	354	9	432	12	25	97	32	FF-300-10/AW5
8	300	16	490	326	330	338	354	9	432	12	25	113	48	FF-300-16/AW5
9	350	10	540	378	382	390	402	8	476	12	28	105	35	FF-350-10/AW5
10	350	16	540	378	382	390	402	8	476	12	28	124	54	FF-350-16/AW5
11	400	10	600	429	433	441	455	8	540	16	28	113	38	FF-400-10/AW5
12	400	16	600	429	433	441	455	8	540	16	28	135	60	FF-400-16/AW5
13	450	10	644	480	484	495	506	8	578	16	32	121	41	FF-450-10/AW5
14	450	16	644	480	484	495	506	8	578	16	32	146	66	FF-450-16/AW5
15	500	3	720	532	536	547	560	8	635	20	32	116	31	FF-500-03/AW5
16	500	10	720	532	536	547	560	8	635	20	32	129	44	FF-500-10/AW5
17	500	16	720	532	536	547	560	8	635	20	32	157	72	FF-500-16/AW5
18	600	3	844	618	622	637	652	10	749	20	35	129	34	FF-600-03/AW5

Disclaimer

Whilst every care is taken to ensure that the information on this website is complete and accurate, the Rotec Composite Group BV cannot accept responsibility for any omissions or inaccuracies or for any consequences arising therefrom. By using this website, the user accepts the terms of this disclaimer.

Fest Flansche

Klebe Flansch (Flat Face) für GFK-Rohr

Drilling Standard: AWWA C207 Class B/D/E



#	DN (mm)	Pmax (bar)	D (mm)	d7 (mm)	d9 (mm)	d8 (mm)	d5 (mm)	r2 (mm)	k (mm)	Holes (no.)	d2 (mm)	h2 (mm)	b2 (mm)	Article Number
19	600	10	844	618	622	637	652	10	749	20	35	145	50	FF-600-10/AW5
20	600	16	844	618	622	637	652	10	749	20	35	179	84	FF-600-16/AW5
21	630	3	844	631	635	644	666	12	749	20	35	129	34	FF-630-03/AW5
22	630	10	844	631	635	644	666	12	749	20	35	145	50	FF-630-10/AW5
23	630	16	844	631	635	644	666	12	749	20	35	179	84	FF-630-16/AW5
24	700	3	930	720	724	733	758	11	864	28	35	142	37	FF-700-03/AW5
25	700	10	930	720	724	733	758	11	864	28	35	161	56	FF-700-10/AW5
26	700	16	930	720	724	733	758	11	864	28	35	201	96	FF-700-16/AW5
27	800	3	1085	822	826	835	858	18	978	28	41	155	40	FF-800-03/AW5
28	800	10	1085	822	826	835	858	18	978	28	41	177	62	FF-800-10/AW5
29	800	16	1085	822	826	835	858	18	978	28	41	223	108	FF-800-16/AW5
30	900	3	1190	924	928	939	964	18	1086	32	41	168	43	FF-900-03/AW5
31	900	6	1190	924	928	939	964	18	1086	32	41	181	56	FF-900-06/AW5
32	900	10	1190	924	928	939	964	18	1086	32	41	193	68	FF-900-10/AW5
33	900	16	1190	924	928	939	964	18	1086	32	41	245	120	FF-900-16/AW5
34	1000	3	1320	1026	1030	1044	1075	18	1200	36	41	186	46	FF-1000-03/AW5
35	1000	6	1320	1026	1030	1044	1075	18	1200	36	41	200	60	FF-1000-06/AW5
36	1000	10	1320	1026	1030	1044	1075	18	1200	36	41	214	74	FF-1000-10/AW5

Disclaimer

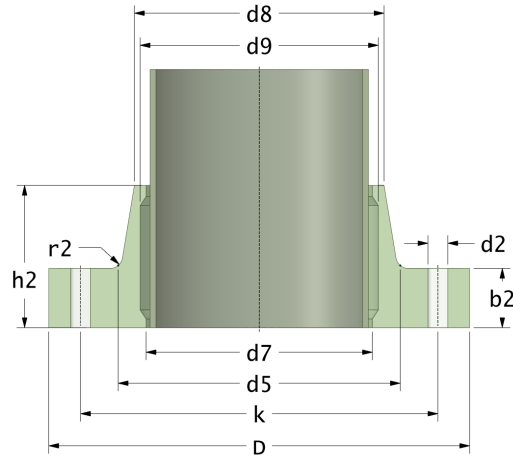
Whilst every care is taken to ensure that the information on this website is complete and accurate, the Rotec Composite Group BV cannot accept responsibility for any omissions or inaccuracies or for any consequences arising therefrom. By using this website, the user accepts the terms of this disclaimer.

17-11-2022

Fest Flansche

Klebe Flansch (Flat Face) für GFK-Rohr

Drilling Standard: AWWA C207 Class B/D/E



#	DN (mm)	Pmax (bar)	D (mm)	d7 (mm)	d9 (mm)	d8 (mm)	d5 (mm)	r2 (mm)	k (mm)	Holes (no.)	d2 (mm)	h2 (mm)	b2 (mm)	Article Number
37	1000	16	1320	1026	1030	1044	1075	18	1200	36	41	272	132	FF-1000-16/AW5
38	1100	3	1430	1102	1106	1118	1140	25	1314	40	41	159	49	FF-1101-03/AW5
39	1100	3	1430	1128	1132	1146	1170	18	1314	40	41	159	49	FF-1102-03/AW5
40	1100	6	1430	1102	1106	1118	1140	25	1314	40	41	175	65	FF-1101-06/AW5
41	1100	6	1430	1128	1132	1146	1170	18	1314	40	41	175	65	FF-1102-06/AW5
42	1100	10	1430	1102	1106	1118	1140	25	1314	40	41	190	80	FF-1101-10/AW5
43	1100	10	1430	1128	1132	1146	1170	18	1314	40	41	190	80	FF-1102-10/AW5
44	1100	16	1430	1102	1106	1118	1160	25	1314	40	41	304	144	FF-1101-16/AW5
45	1100	16	1430	1128	1132	1146	1170	18	1314	40	41	314	144	FF-1102-16/AW5
46	1200	3	1520	1231	1235	1250	1280	14	1422	44	41	172	52	FF-1200-03/AW5
47	1200	6	1520	1231	1235	1250	1280	14	1422	44	41	189	69	FF-1200-06/AW5
48	1200	10	1520	1231	1235	1250	1280	14	1422	44	41	206	86	FF-1200-10/AW5
49	1200	16	1520	1231	1235	1250	1280	14	1422	44	41	331	156	FF-1200-16/AW5
50	1350	3	1695	1384	1388	1402	1440	18	1594	44	47	257	57	FF-1350-03/AW5
51	1350	6	1695	1384	1388	1402	1440	18	1594	44	47	276	76	FF-1350-06/AW5
52	1350	10	1695	1384	1388	1402	1440	18	1594	44	47	295	95	FF-1350-10/AW5
53	1350	16	1695	1384	1388	1402	1440	18	1594	44	47	374	174	FF-1350-16/AW5
54	1500	3	1870	1537	1541	1558	1590	25	1759	52	47	221	61	FF-1500-03/AW5

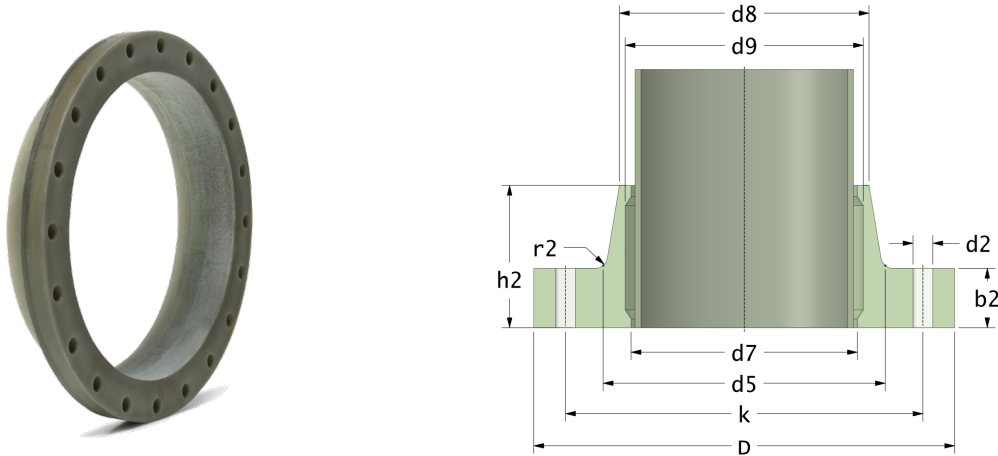
Disclaimer

Whilst every care is taken to ensure that the information on this website is complete and accurate, the Rotec Composite Group BV cannot accept responsibility for any omissions or inaccuracies or for any consequences arising therefrom. By using this website, the user accepts the terms of this disclaimer.

Fest Flansche

Klebe Flansch (Flat Face) für GFK-Rohr

Drilling Standard: AWWA C207 Class B/D/E



#	DN (mm)	Pmax (bar)	D (mm)	d7 (mm)	d9 (mm)	d8 (mm)	d5 (mm)	r2 (mm)	k (mm)	Holes (no.)	d2 (mm)	h2 (mm)	b2 (mm)	Article Number
55	1500	6	1870	1537	1541	1558	1590	25	1759	52	47	243	83	FF-1500-06/AW5
56	1500	10	1870	1537	1541	1558	1590	25	1759	52	47	264	104	FF-1500-10/AW5
57	1500	16	1870	1537	1541	1558	1590	25	1759	52	47	412	192	FF-1500-16/AW5
58	1800	3	2210	1844	1848	1866	1900	25	2096	60	47	260	70	FF-1800-03/AW5
59	1800	6	2210	1844	1848	1866	1900	25	2096	60	47	286	96	FF-1800-06/AW5
60	1800	10	2210	1844	1848	1866	1900	25	2096	60	47	312	122	FF-1800-10/AW5
61	1800	16	2210	1844	1848	1866	1900	18	2096	60	47	498	228	FF-1800-16/AW5
62	2100	3	2560	2150	2154	2172	2210	25	2426	64	54	299	79	FF-2100-03/AW5
63	2100	6	2560	2150	2154	2172	2210	25	2426	64	54	330	110	FF-2100-06/AW5
64	2100	10	2560	2150	2154	2172	2210	25	2426	64	54	360	140	FF-2100-10/AW5
65	2400	3	2900	2458	2462	2480	2530	25	2756	68	62	338	88	FF-2400-03/AW5
66	2400	6	2900	2458	2462	2480	2530	25	2756	68	62	373	123	FF-2400-06/AW5
67	2400	10	2900	2458	2462	2480	2530	25	2756	68	62	408	158	FF-2400-10/AW5

Disclaimer

Whilst every care is taken to ensure that the information on this website is complete and accurate, the Rotec Composite Group BV cannot accept responsibility for any omissions or inaccuracies or for any consequences arising therefrom. By using this website, the user accepts the terms of this disclaimer.

17-11-2022